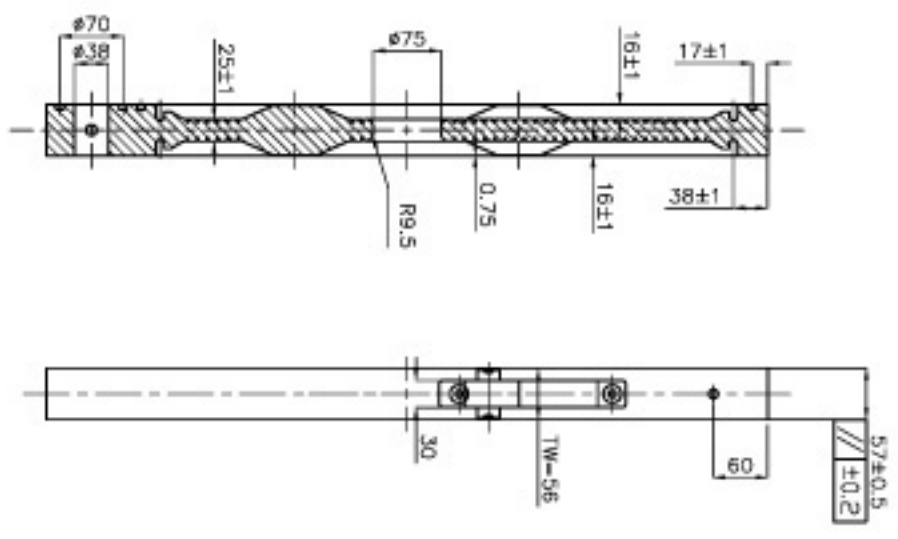


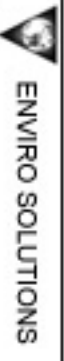
FRONT VIEW



SECTION A-A

R.H. SIDE VIEW

Order Qty. = 75 nos.
 Plate Weight = 17,700 kgs. (Approx.)
 Filtration Area = 10,81 m²
 Chamber Volume = 0.51 m³
 Design Pressure = 8 Bar (100PSI)



TITLE :		VER. :		NAME :		DATE :	
DWG. NO. :		REV. :		PREPARE BY :			
FILE :		ISSUE DATE :		APPROVE BY :			

* ALL DIMENSIONS ARE IN MM.