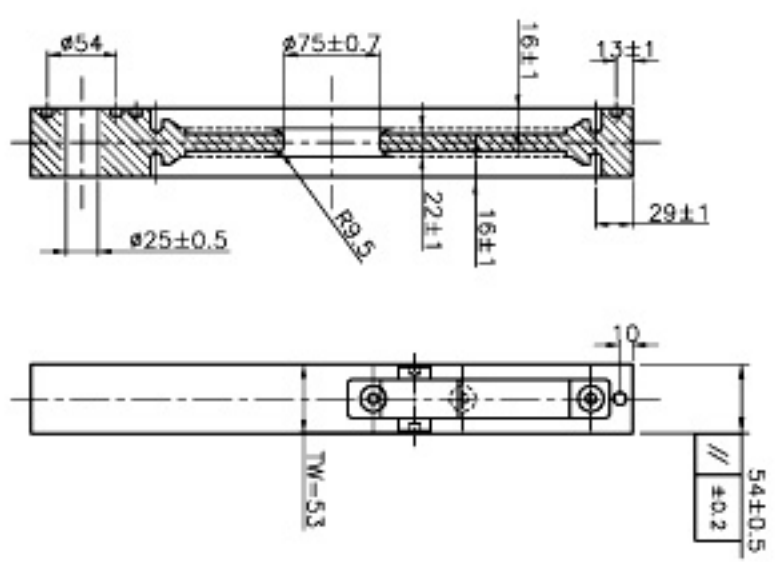


FRONT VIEW



SECTION A-A L.H. SIDE VIEW

Order Qty. = 30 nos.
 Plate Weight = 6.500 Kgs.
 Filtration Area = 3.33 M²
 Chamber Volume = 0.15 M³
 Design Pressure = 8 Bar (100 PSI)



ENVIRO SOLUTIONS	VERSION :	NAME	DATE
TITLE :	REV. :	PREPARE BY	
DWG. NO. :	FILE :	ISSUE DATE :	APPROVE BY

* ALL DIMENSIONS ARE IN MM.